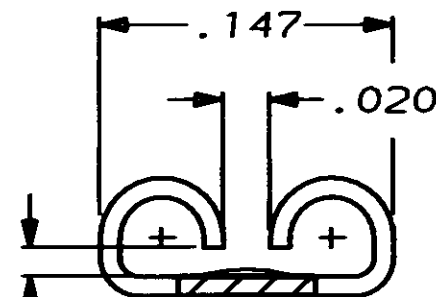
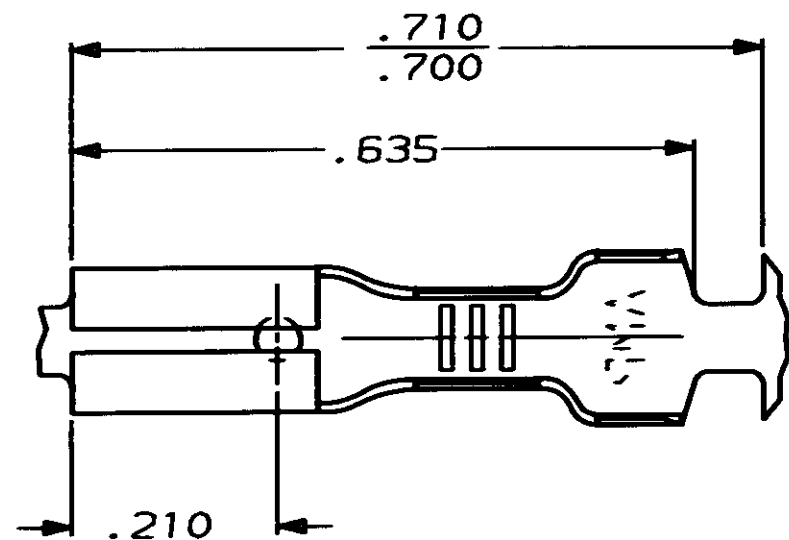


THIS DRAWING IS UNPUBLISHED. RELEASED FOR PUBLICATION ,19 .  
 © COPYRIGHT 19 BY AMP INCORPORATED. ALL INTERNATIONAL RIGHTS RESERVED.

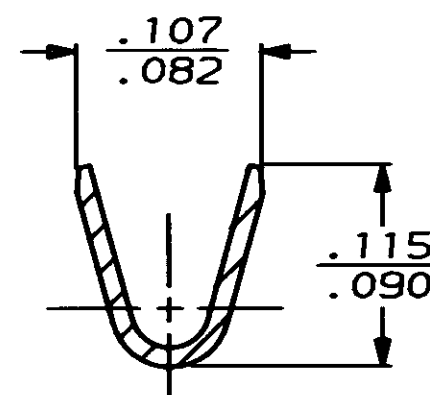
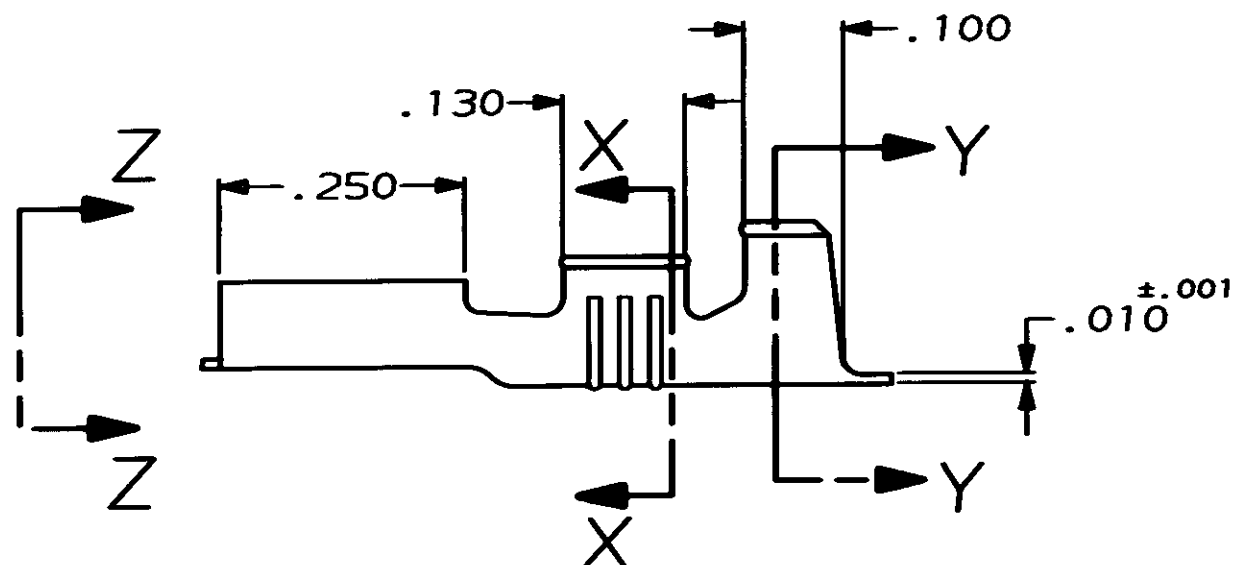
LOC		DIST		REVISIONS				
AF	50	P	F	ZONE	LTR	DESCRIPTION	DATE	APPD
					G	REDRAWN AF-7175	12/20/90	JR/MS



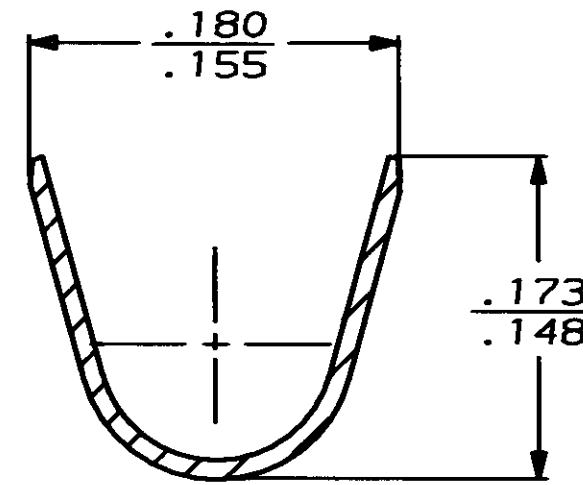
FITS .110 SERIES FASTON TABS

VIEW Z-Z  
SCALE 10:1

1 CONTINUOUS STRIP ON REELS



SECTION X-X  
SCALE 10:1



SECTION Y-Y  
SCALE 10:1

-	.090-.130	22-18 AWG	.020	62094-2
PRE-TIN	.090-.130	22-18 AWG	.020	62094-1
FINISH	INSUL RANGE	WIRE SIZE	MATING TAB THK ±.001	PART NO
DO NOT SCALE PRINT. UNLESS SPECIFIED DIMENSIONS ARE IN INCHES TOLERANCES ON: 2 PLC DEC ± - 3 PLC DEC ± .015 ANGLES ± -	DR 12/20/90 JR RUTH	<b>AMP</b> AMP Incorporated Harrisburg, PA 17105-3608		
	CHK 12/20/90 MS FEDER			
MATERIAL #4H BRASS	APPD 12/21/90 C MEYERS	NAME RECEPTACLE, FASTON, .110 SERIES		
FINISH SEE TABLE	APPD 12/21/90 D REINER	SIZE B	CAGE CODE 00779	DRAWING NO 62094
	PRODUCT SPEC -	SCALE 5:1	SHEET 1 OF 1	
	APPLICATION SPEC -			
	WEIGHT -			